

Battery indicator



SL-BI008

12V 24V 36V 48V LCD battery indicator battery charge gauge and hour meter for DC powered equipment such as fork lifts, golf carts, floor care equipment, and any other battery powered equipment.

PRODUCTS DESCRIPTION

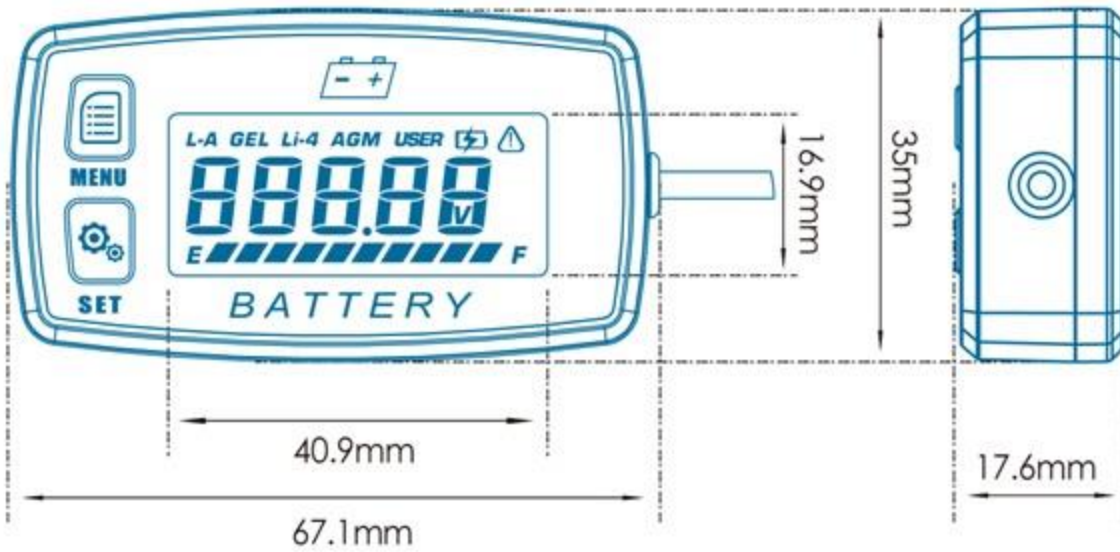
RL-BI008 Battery Indicator. It can work on most all batteries include Lead-acid storage battery, GEL battery, LiFeO4 battery, AGM battery and other battery. It has a powerful battery indicator system and some other unique design.

Battery Indicator System Including: Delay Display Function, Charging voltage settable, Delay time of rising and falling, Overvoltage and undervoltage reminder Function, etc.

Unique Design Including: Large backlight LCD, data stored automatically after disconnecting with the battery, etc.

SPECIFICATIONS

Product Model	SL-B1008
Product Size	67.1mmX35mmX17.6mm
Display Screen	LCD + Green Backlight
Screen Size	40.9mmX16.9mm
Button Type	Touch Switch
Induction Wire Type	UL2464 26AWG/2C
Housing Material	ABS
Display Panel Material	Transparent Acrylic
Package	Double blister card
Packing Size	190mmx113mmx25mm
N.W.	46.7g
Waterproof Rate	IP65
Induction Wire	1.2m



LCD Battery Indicator

SL-BI008



Waterproof



Backlight



Battery



Multifunction voltmeter battery indicator

1 Powerful function

- 1 4 battery types +
1 battery data can be set any by user
- 2 4 voltage
- 3 overvoltage and undervoltage reminder

etc

2 Unique design

- 1 Large LCD green backlight ,
- 2 Data storage,
- 3 Restore Factory Defaults

etc

Voltage + Battery level real-time display

Voltage and battery level test and display at the same time

Real-time voltage display

Real-time battery level display



All battery type can be used

**4 battery types + 1 battery data can be set any by user
suit for all battery**

Select the corresponding battery type based on user requirements
If no suitable type, data can be set by user to make sure 100% matching.

- **L-A:** Lead-acid storage battery
- **GEL:** GEL battery
- **Li-4:** LiFeO4 battery
- **AGM:** AGM battery
- **USER:** USER set



4 voltages selectable

12_v

24_v

36_v

48_v

selectable

One meter, wide usage.

When connected with battery, it will automatically identify the voltage.



12 blink when choose 12V



24 blink when choose 24V



36 blink when choose 36V



48 blink when choose 48V



Charging voltage settable

Charging voltage settable and viewable

Charging voltage can be set by user to make sure indicating the process of charging correctly.



Delay time of rising and falling

Set the delay time of rising and falling according to battery's working features.

Avoid sudden big power output make a false dramatic changes of battery level.
Let measured data more accurate.

The setting range is 0-250.



Rising

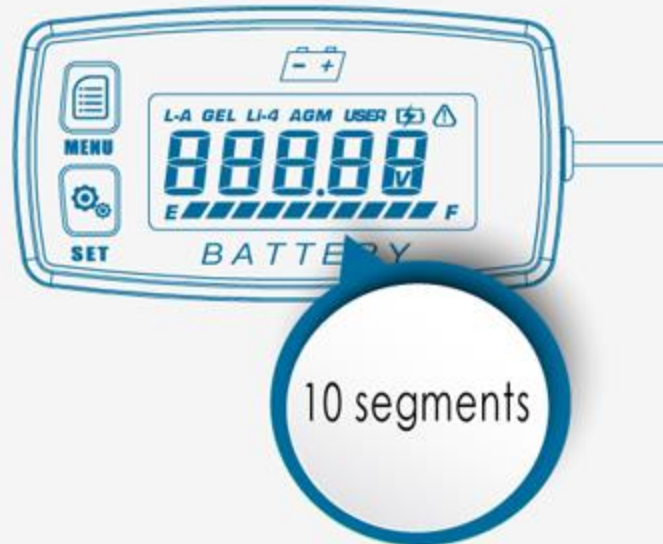


Falling according

Recognition false battery charging signals Function

Only when battery charging
higher than definite voltage and last more than 6 minutes
can it be recognized to full battery.

display 10 segments circularly



Overvoltage & undervoltage reminder

Overvoltage and undervoltage data can be set by user to know and protect the battery.

When the voltage data is larger than set data, "H" will display and ! blink.
When the voltage data is smaller than set data, "L" will display and ! blink.



↑ Overvoltage

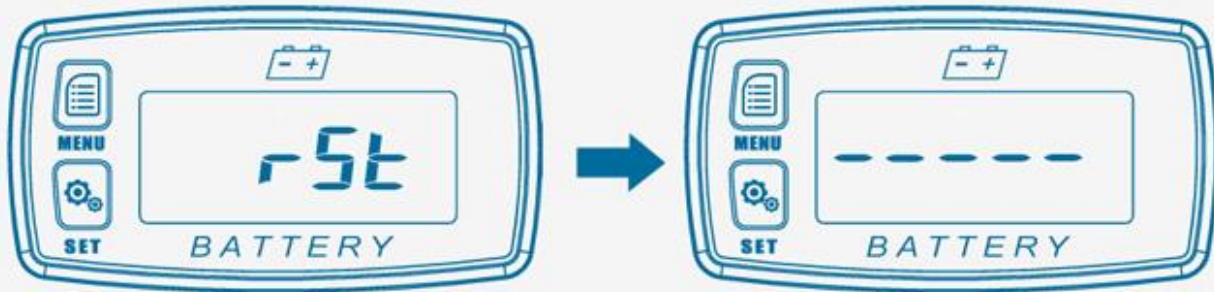


↓ Undervoltage

Restore Factory Defaults

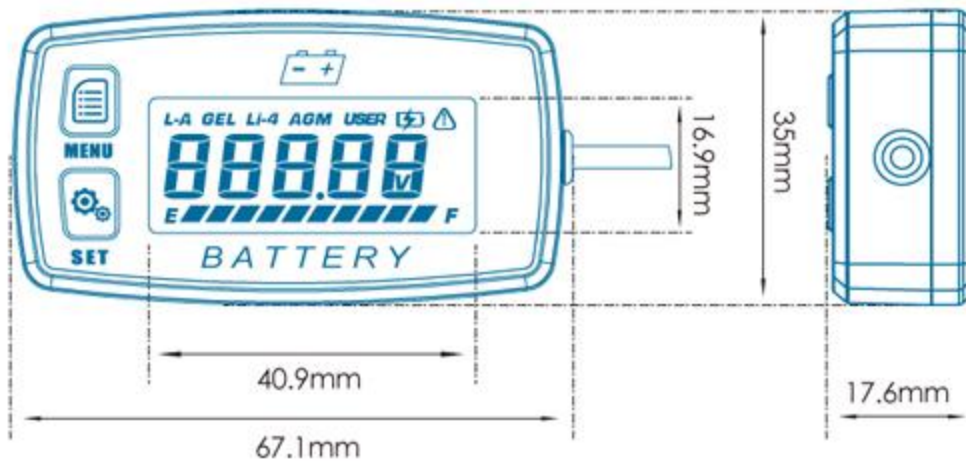
Easy operation, easy realization

Long press **MENU** + **SET** 5 s restoring



Dimensional Drawing

Other Specifications Digital display height 0.5 "(12mm)
 Double blister card packaging, More safe transportation.



Specifications		Screen Size	40.9mmX16.9mm	Package	Double blister card
Product Name	LCD Battery Indicator	Button Type	Touch Switch	Packing Size	190mm*113mm*25mm
Item Number	RL-BK008	Induction Wire Type	UL2464 26AWG/2C	N.W.	46.7g
Product Size	67.1mmX35mmX17.6mm	Housing Material	ABS	Waterproof Rate	IP65
Display Screen	LCD + Green Backlight	Display Panel Material	Transparent Acrylic	Induction Wire	1.2m